



UltimaxInternational
Powerful. Compact. Proven Reliability.

- Class F insulation
- 2" suction and discharge port
- 230V, 50Hz TEFC motors for Europe, IPX5
- Center suction/radial side discharge orientation
- Cable with AMP plug, ready for all spa pack or plug and play connection
- The pumps are supplied with centre suction & 2 drain connection to ensure total draining of pump



BALBOA[™]
water group

Ultimax International Spa Pump

Ultimax International pumps develop more flow per Kw than competing models in its range. All seals are carbon ceramic with Viton elastomers for long lasting performance, easily enduring prolonged heat and chemical exposure. Pumps are fitted with 2 removable plugs for 100% draining when needed. Isolated bolt mountings allow for wet end to be easily rotated 90 degrees for installation flexibility. 2' union kits with O-rings are provided. Pumps are VDE approved.

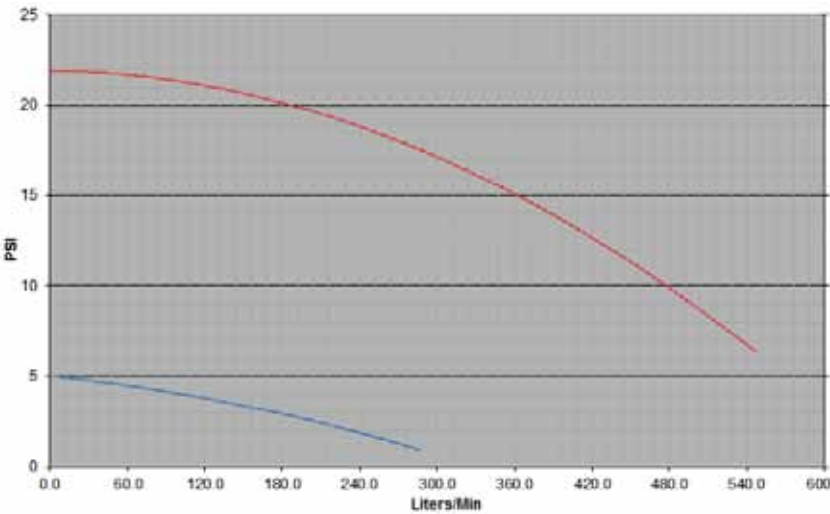
Ultimax International pumps offer the options you need and energy-efficient package, unsurpassed design, flexibility, ease of installation, high flow rate and dependable operation. Contact your Balboa Water Group representative for more information.



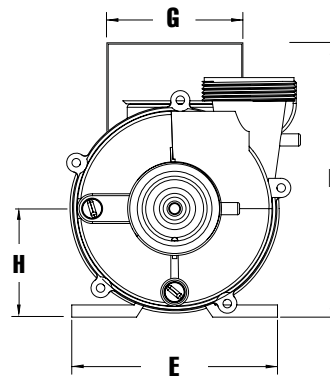
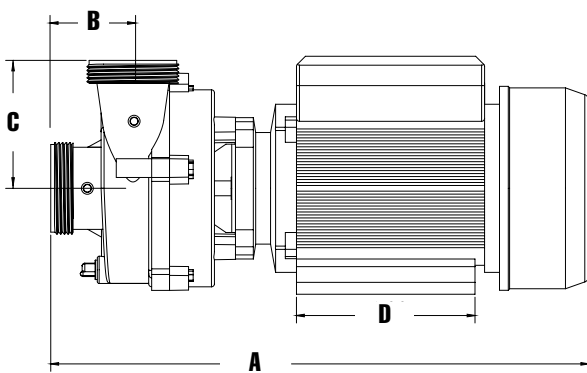
Specifications

- Class F insulation
- 2" suction and discharge port
- 230V, 50Hz TEFC motors for Europe, IPX5
- Center suction/radial side discharge orientation
- Cable with AMP plug, ready for all spa pack or plug and play connection
- The pumps are supplied with centre suction & 2 drain connection to ensure total draining of pump

Performance shown for both 1 and 2-speed models



Pump Measurements



Refer to chart below for each letter.

Material Numbers

Pump Dimensions (MM) - D & E represent center line of mounting holes

MATERIAL NO.	Volt	Hz	KW	Amps	HP	CORD	A	B	C	D	E	F	G	H
1023034	230V	50Hz	1.95	9.3/1.8A	2HP	3m AMP	394	67	109	102	124	240	168	94
1023032	230V	50Hz	1.65	8.7	2HP	3m AMP	394	67	109	102	124	240	168	94

The pumps with 2 values for the amps, are the 2 speed pumps, so it is at high and low speed.

ULTIMAXINTL1014

©2014 Balboa Water Group. All rights reserved. Your Single Source Solution.
1382 Bell Avenue | Tustin, CA 92780 | p 714.384.0382 | www.balboawatergroup.com
We reserves the right to change technical data without further notice.

BALBOA
water group